

Digital indicator for panel mounting Model DI10

WIKA data sheet AC 80.06

Applications

- Machine building and plant construction
- Test benches
- Level measurement
- General industrial applications

Special features

- Suitable for 4 ... 20 mA current loops
- Min/Max value memory
- Linearisation with up to 10 programmable points
- 2 optional potential-free switch contacts
- Minimal mounting depth: 25 mm without plug-in terminal



Digital indicator model DI10
Fig. top: for panel mounting
Fig. bottom: for wall mounting

Description

The DI10 digital indicator, with its small mounting depth, is ideally suited for mounting in applications with limited mounting space. As a result of this small insertion depth, it can be used in applications where other indicators would be too large.

The digital indicator is suitable for industry-standard 4 ... 20 mA current loop signals. The power supply for the display comes directly from the current loop, so no additional power supply is needed.

The display is parameterised through a logically-structured menu which enables intuitive operation. The settings can be made using the control keys on the front.

The parameterisation enables the setting of the indication range and an offset. In addition, a sensor signal can be

linearised with up to 10 programmable points. The display time can be varied between 0.1 and 10 seconds. In order to prevent unintentional changes by the operator within the menu system, a programming lock can be activated.

The retrieval of the Min/Max values is made through the simple operation of the control keys.

Two PhotoMOS outputs are available as options, with adjustable hysteresis independent of each other.

For convenient installation outside of electrical panels, the display is also available in a practical wall-mount enclosure, which offers an ingress protection of IP 65.

Specifications

Model DI10

Display

Principle	7-segment LED, red, 4-digit
Character size	14 mm
Indication range	-1999 ... 9999
Display rate	0.1 ... 10 sec
Memory	Flash memory (independent of power supply), data retention > 100 years

Input

Number and type	1 x 4 ... 20 mA current input
Accuracy	± 0.3 % of the measuring span ± 1 digit
Measuring time	0.1 ... 10.0 sec
Voltage drop	approx. DC 5.1 V, max. 150 mW {approx. DC 8.0 V for the option with two switching outputs, max. 200 mW}
Power supply	Not required, since the digital indicator is powered from the 4 ... 20 mA loop
Electrical connection	screw terminals, conductor cross-section up to 2.5 mm ²

{Switching output}

Number and type	2 PhotoMOS outputs, galvanically isolated max. AC/DC 30 V, max. 0.4 A
-----------------	--

{ } Items in curved brackets are optional extras for an additional price.

Case

Material	PC polycarbonate, black
Ingress protection	Front: IP 65; Rear: IP 00
Dimensions	96 x 48 x 41 mm (W x H x D) including screw terminals
Weight	approx. 50 g
Mounting	Screw elements for wall thicknesses up to 3 mm

{Wall-mount enclosure}

Material	ASA, black, PG gland
Ingress protection	IP 65
Dimensions	160 x 90 x 60 mm (W x H x D)
Weight	approx. 300 g
Mounting	Fixing holes for screws

{ } Items in curved brackets are optional extras for an additional price.

Permissible ambient conditions

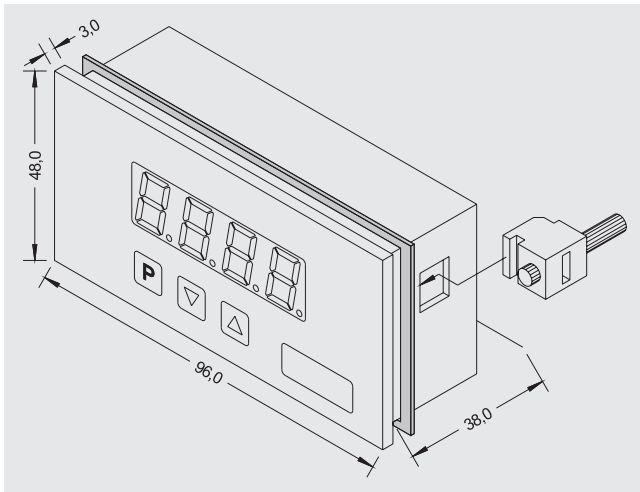
Operating temperature	0 ... 60 °C
Storage temperature	-20 ... +80 °C
Relative humidity	0 ... 80 % mean annual relative humidity, non-condensing

CE conformity

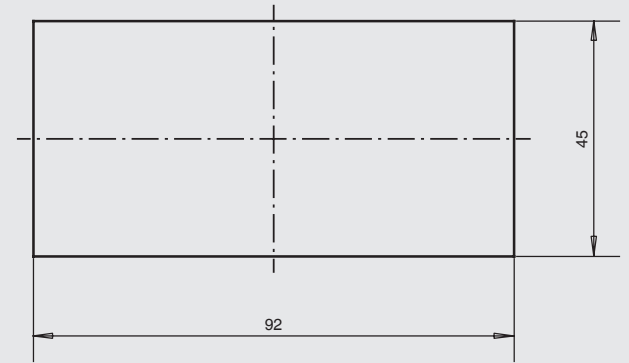
EMC directive	2004/108/EC, EN 61326 emission (group 1, class B) and interference immunity (industrial application)
Safety regulations	EN 61010

Dimensions in mm

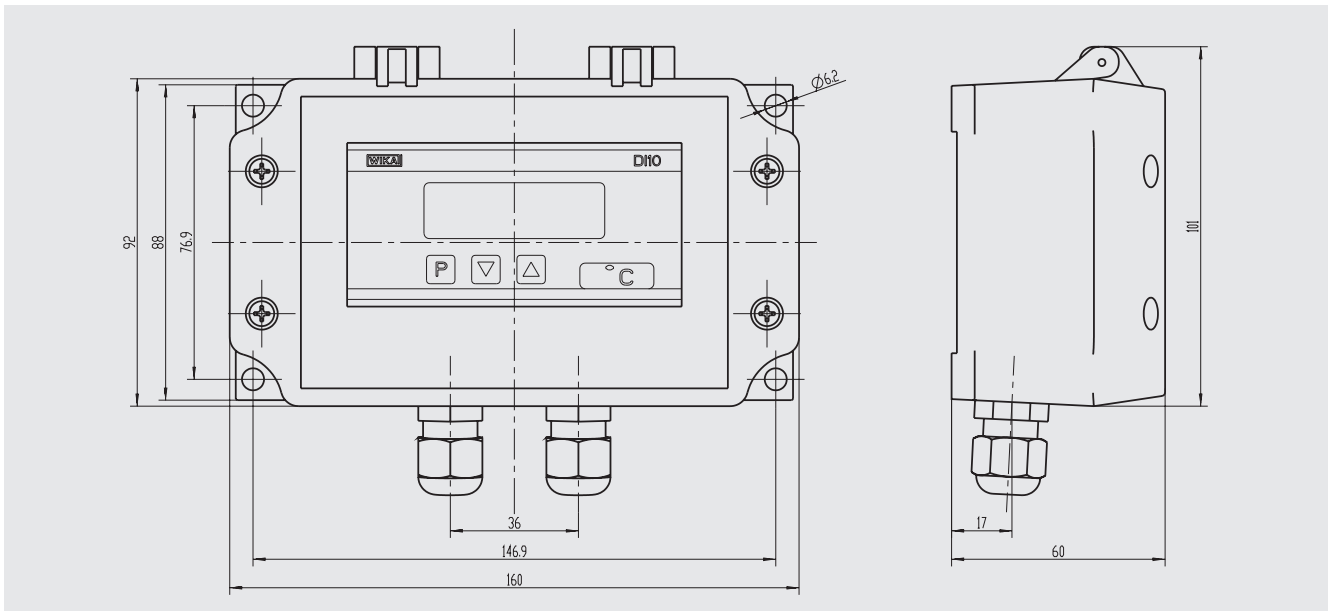
Panel-mount unit



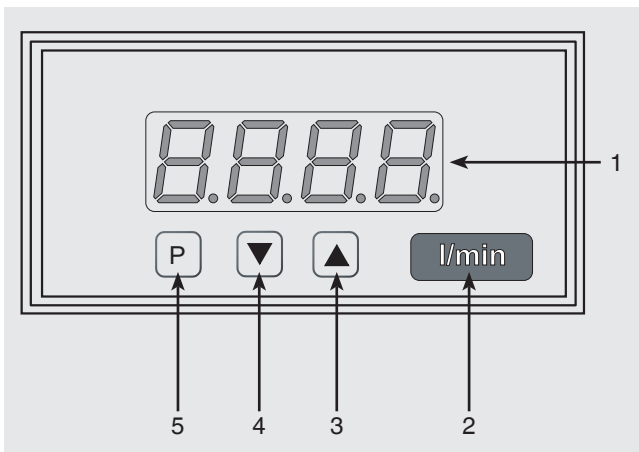
Panel cutout



Wall-mount unit

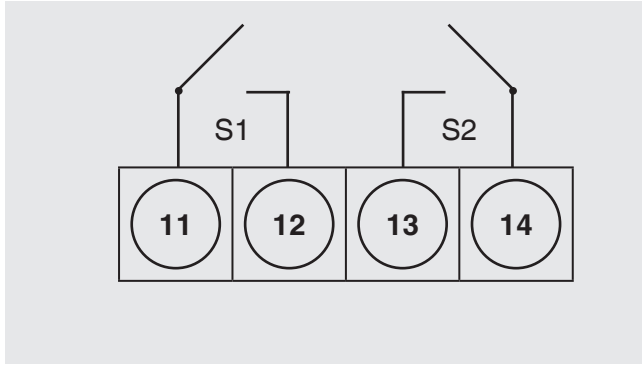


Display and operating elements



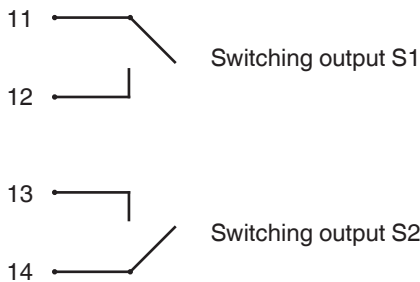
- 1 7-segment display
- 2 Window of dimensions
- 3 Up key [UP]
- 4 Down key [DOWN]
- 5 Program key [P]

Designation of terminal connectors

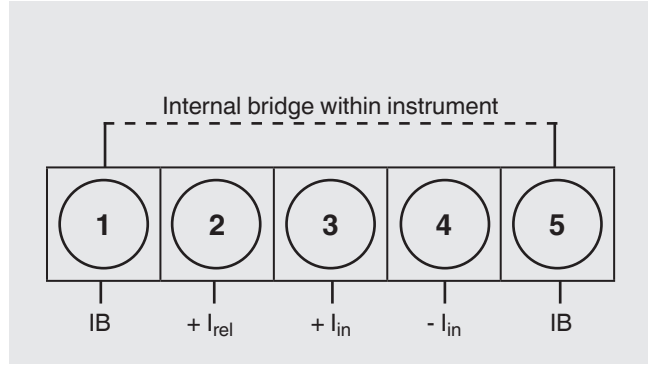


{4-pin terminal block}

Plug connector for switching outputs:



{ } Items in curved brackets are optional extras for an additional price.



5-pin terminal block

Screw terminal for signal input:

- 1 IB internal bridge within instrument
- 2 + I_{rel} Measuring signal current input (only in conjunction with switch outputs)
- 3 + I_{in} Current measuring signal
- 4 - I_{in} Current measuring signal
- 5 IB internal bridge within instrument

Scope of delivery

- Digital indicator model DI10
- Sealing
- Mounting screws (for panel mounting)
- Operating instructions

Order no.

Model	Panel-mount unit	Wall-mount unit
Without switching outputs	14019785	14024082
With 2 switching outputs	14019786	14024084

Ordering information

To order, the order number is sufficient. Other options require additional specification.

© 2011 WIKA Alexander Wiegand SE & Co. KG, all rights reserved.
The specifications given in this document represent the state of engineering at the time of publishing.
We reserve the right to make modifications to the specifications and materials.



WIKAL Alexander Wiegand SE & Co. KG
Alexander-Wiegand-Straße 30
63911 Klingenberg/Germany
Tel. (+49) 9372/132-0
Fax (+49) 9372/132-406
E-mail info@wika.de
www.wika.de