

# Stopcock for pressure measuring instruments

## Model 910.10, brass, steel or stainless steel

WIKA data sheet AC 09.01

### Applications

Shut-off device for pressure measuring instruments, for measurement of liquids, gases and vapours

### Special features

- Version per DIN 16261, DIN 16262 and DIN 16263
- Nominal pressures to  $\leq 25$  bar
- Operating temperature  $\leq 50$  °C



**Stopcock**  
Female / male G  $\frac{1}{2}$  / G  $\frac{1}{2}$  B, DIN 16261, PN 25

### Description

Stopcocks provide the opportunity to either vent the connected pressure gauge according to the position of the handle (venting position), i.e. put it into a pressure-free state, or to vent the pressure measuring instrument under pressure (operating position) or to let the medium escape (blow position). The table on page 2 lists the nominal pressure PN for each version.

For higher pressures shut-off valves must be used.

### Test connection version

Stopcocks with test connection are intended for the simultaneous connection of operating pressure measuring instruments and test connection pressure gauges to the pressure pipeline. With this version, the third route, which leads to the outside at the standard version, is used as connection for a test connection pressure gauge. A fourth position of the handle enables the simultaneous connection of the operating and the test connection pressure measuring instruments to the pressure pipeline.

## Standard version

### Cock case (wetted part) and handle

Material: Brass CW614N <sup>1)</sup>, bright

Handle installed in the case with silicon free grease

### Test connection

Test pivot M20 x 1.5

or test flange Ø 40 x 5 mm resp. 60 x 25 x 10 mm

## Options

- Wetted parts: Brass, CW614N <sup>1)</sup>, chrome plated  
Steel  
Stainless steel 1.4571
- With gland packing, without venting bore (only at standard version)
- Special threads

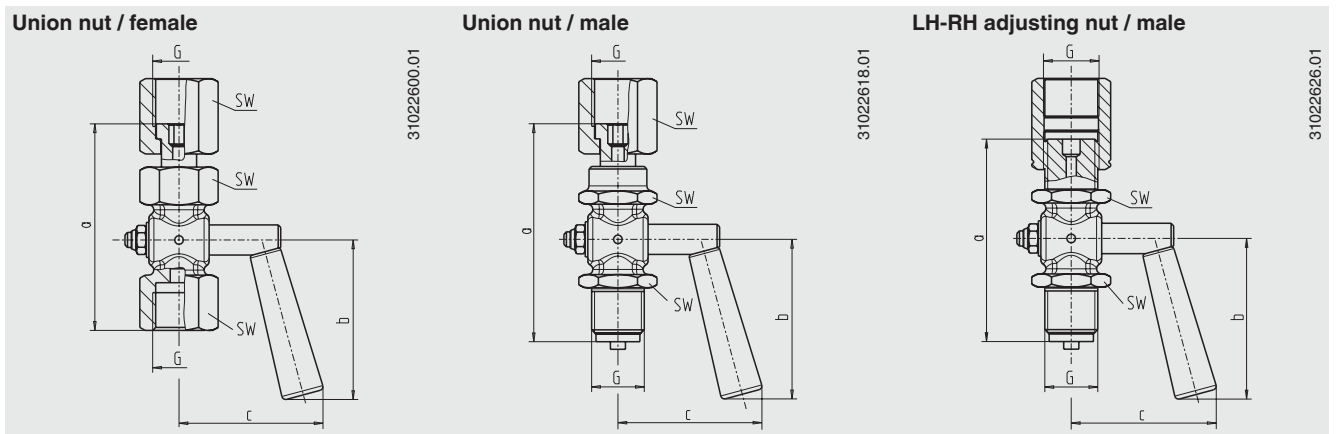
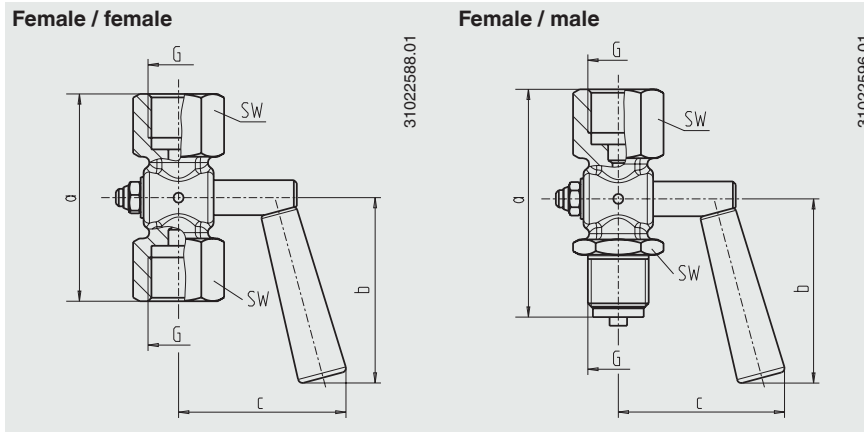
| Design                             | Connection | PN in bar | Wetted parts | Order number |
|------------------------------------|------------|-----------|--------------|--------------|
| <b>Female / female</b>             | G ¼        | 6         | Brass        | 9090029      |
|                                    | G ⅜        | 16        | Brass        | 9091807      |
|                                    | G ½        | 25        | Brass        | 9090045      |
| ■ With test flange Ø 40 x 5        | G ½        | 25        | Brass        | 9091777      |
| ■ With test flange 60 x 25 x 10    | G ½        | 25        | Brass        | 9090053      |
| ■ With gland packing <sup>2)</sup> | G ½        | 25        | Brass        | 9090061      |
| <b>Female / male</b>               | G ¼        | 6         | Brass        | 9090070      |
|                                    | G ⅜        | 16        | Brass        | 9091815      |
|                                    | G ½        | 25        | Brass        | 9090096      |
| ■ With test flange Ø 40 x 5        | G ½        | 25        | Brass        | 9091785      |
| ■ With test flange 60 x 25 x 10    | G ½        | 25        | Brass        | 9090100      |
| ■ With gland packing <sup>2)</sup> | G ½        | 25        | Brass        | 9090118      |
| <b>Union nut / female</b>          | G ½        | 25        | Brass        | 9090126      |
| ■ With test flange 60 x 25 x 10    | G ½        | 25        | Brass        | 9090134      |
| <b>Union nut / male</b>            | G ½        | 25        | Brass        | 9090142      |
| ■ With test flange 60 x 25 x 10    | G ½        | 25        | Brass        | 9090150      |
| <b>LH-RH adjusting nut / male</b>  | G ¼        | 6         | Brass        | 9095080      |
|                                    | G ½        | 25        | 1.4571       | 9090959      |
|                                    | G ½        | 25        | Brass        | 2087174      |
| ■ With test connection M20 x 1,5   | G ½        | 16        | Brass        | 9091130      |
| ■ With test connection M20 x 1,5   | G ½        | 16        | 1.4571       | 9091149      |

1) Alternative: Brass CW617N

2) Medium temperature ≤ +80 °C without venting bore

# Dimensions in mm

## Standard version



| Design                     | Entry per EN 837-1 | Dimensions in mm |      |      | SW | Weight in kg |
|----------------------------|--------------------|------------------|------|------|----|--------------|
|                            |                    | a ±3             | b ±3 | c ±3 |    |              |
| Female / female            | G ¼                | 48               | 29   | 30   | 17 | 0.06         |
| Female / male              | G ¼                | 51               | 29   | 30   | 17 | 0.06         |
| Female / female            | G ½                | 71               | 64   | 57   | 27 | 0.25         |
| Female / male              | G ½                | 78.5             | 64   | 57   | 27 | 0.28         |
| Union nut / female         | G ½                | 82               | 64   | 57   | 27 | 0.32         |
| Union nut / male           | G ½                | 87               | 63.5 | 57   | 27 | 0.33         |
| LH-RH adjusting nut / male | G ½                | 87               | 63.5 | 57   | 27 | 0.40         |
| Female / female            | G ¾                | 62               | 64   | 43   | 22 | 0.14         |
| Female / male              | G ¾                | 60               | 64   | 43   | 22 | 0.12         |
| LH-RH adjusting nut / male | G ¼                | 55               | 29   | 30   | 17 | 0.07         |

## Ordering information

To order the described product, the given order number is sufficient. Other options require additional specification.

© 03/2003 WIKA Alexander Wiegand SE & Co. KG, all rights reserved  
The specifications given in this document represent the state of engineering at the time of publishing.  
We reserve the right to make modifications to the specifications and materials.

